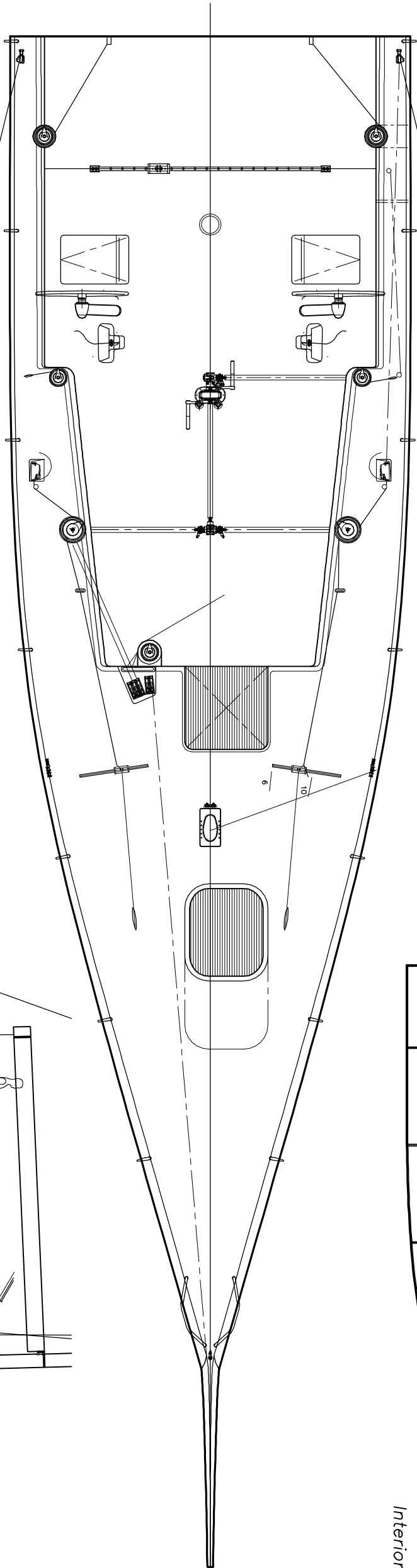
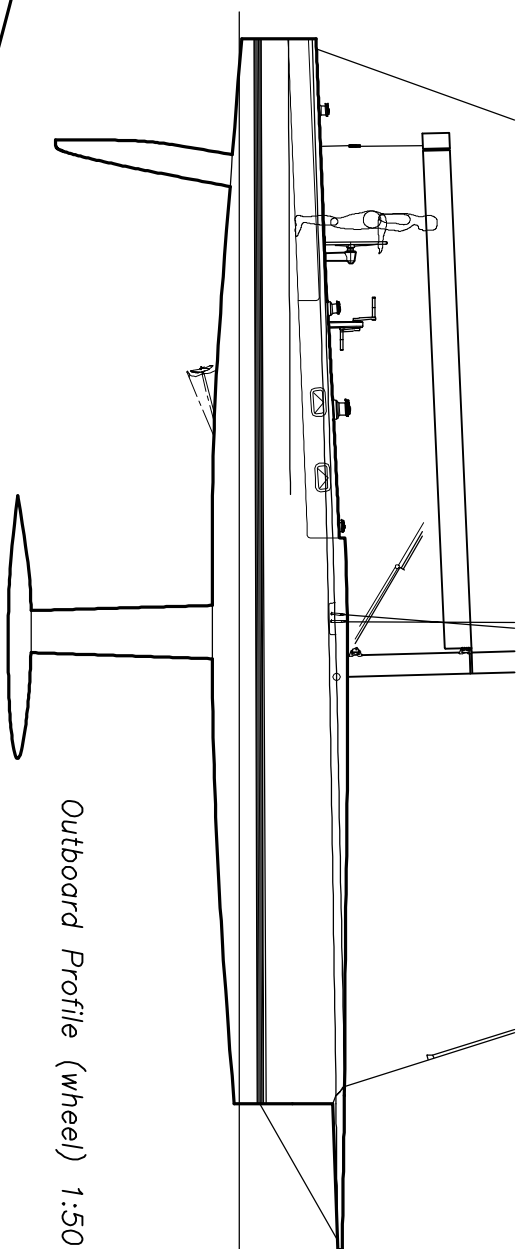


Interior Schematic 1:50

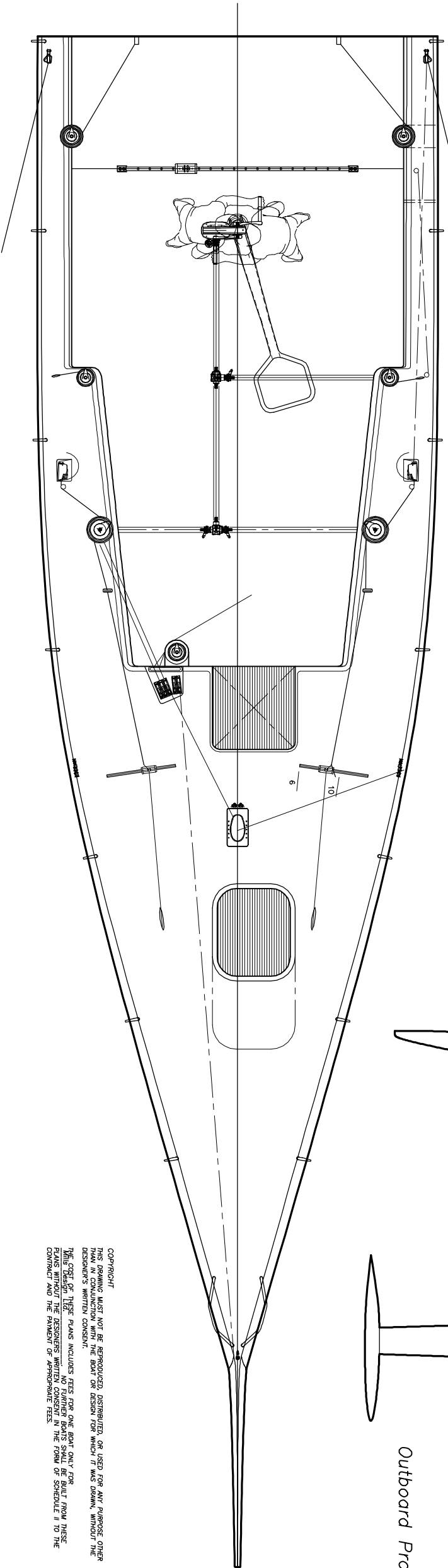


Wheel

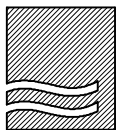
Tiller



Outboard Profile (wheel) 1:50



COPYRIGHT  
THIS DRAWING MUST NOT BE REPRODUCED, DISTRIBUTED, OR USED FOR ANY PURPOSE OTHER  
THAN IN CONJUNCTION WITH THE BOAT OR DESIGN FOR WHICH IT WAS DRAWN, WITHOUT THE  
DESIGNER'S WRITTEN CONSENT.  
THE COST OF THESE PLANS INCLUDES FEES FOR ONE BOAT ONLY FOR  
THESE PLANS WITHOUT THE DESIGNER'S WRITTEN CONSENT IN THE FORM OF SCHEDULE II TO THE  
CONTRACT AND THE PAYMENT OF APPROPRIATE FEES.



MILLS DESIGN

45' IRC Racer  
for:

Deck Plan

md.059: VSA45-104 DP

Scale @ A1 = 1:25

© Mills Design 14/07/11

Mills Design Ltd.  
Clendale  
Kilbride  
Wicklow  
Ireland

t: +353 404 48500  
f: +353 404 48501  
m: +353 87 2242804  
info@mills-design.com  
www.mills-design.com