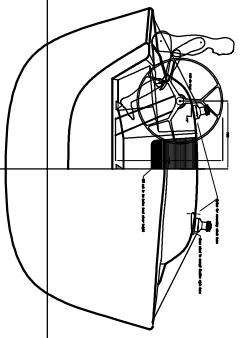
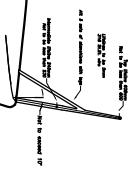
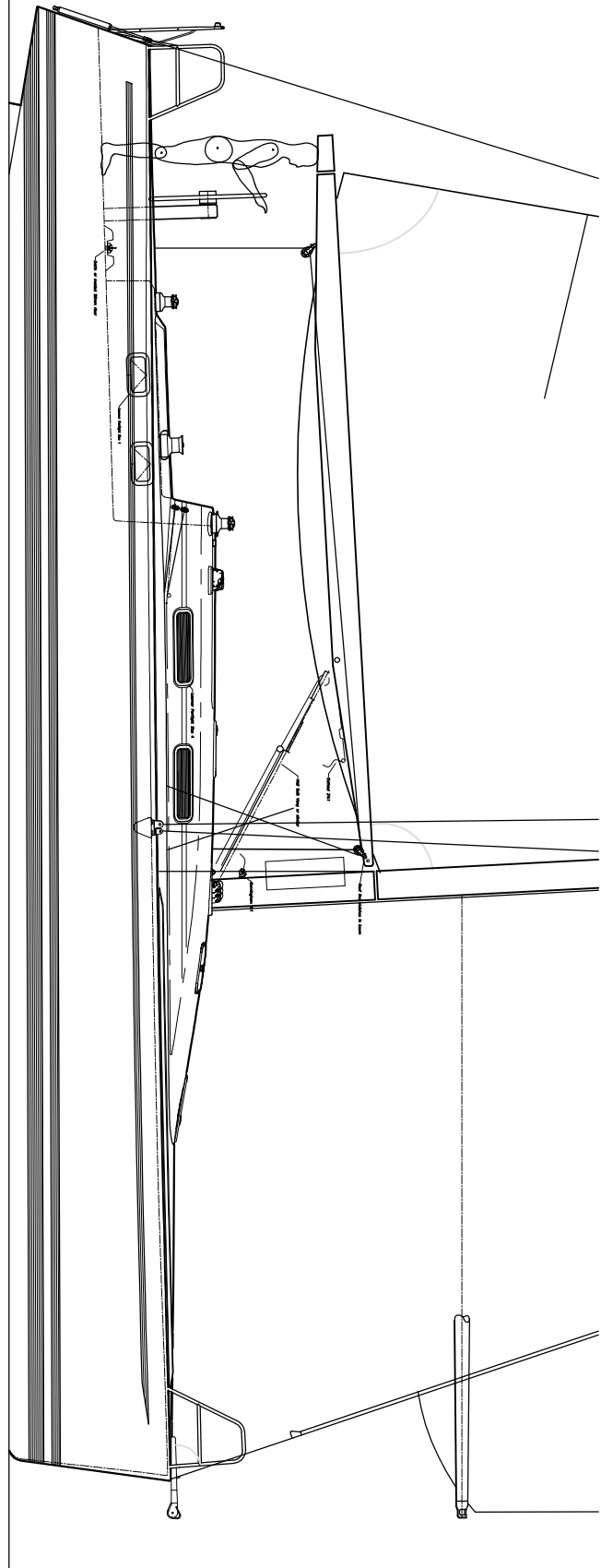


Deck Plan 1:25



Typical Station Detail 1:15



COMMENT:
 THE REGULATORY AUTHORITIES WILL BE RESPONSIBLE FOR APPROVAL OF THIS PLAN AND ANY VARIATIONS THEREFROM. THE DESIGNER'S RESPONSIBILITY IS LIMITED TO THE DESIGN OF THE HULL AND DECK ONLY. THE DESIGNER'S RESPONSIBILITY DOES NOT EXTEND TO THE DESIGN OF THE ENGINE, ELECTRIC SYSTEMS, OR ANY OTHER EQUIPMENT INSTALLED ON THE VESSEL. THE DESIGNER'S RESPONSIBILITY IS LIMITED TO THE DESIGN OF THE HULL AND DECK ONLY. THE DESIGNER'S RESPONSIBILITY DOES NOT EXTEND TO THE DESIGN OF THE ENGINE, ELECTRIC SYSTEMS, OR ANY OTHER EQUIPMENT INSTALLED ON THE VESSEL.



MILLS DESIGN

12.45m IRC Cruiser Racer
 for: M.A.T.



Deck Plan	MAT 12-10-05
Scale @ A1 = 1:20	© Mills Design 30/08/05
Mills Design Ltd. Glenties Wicklow Ireland	t: +353 404 48500 f: +353 404 48501 m: +353 87 2242804 info@mills-design.com www.mills-design.com